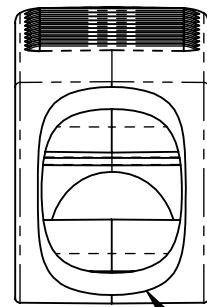
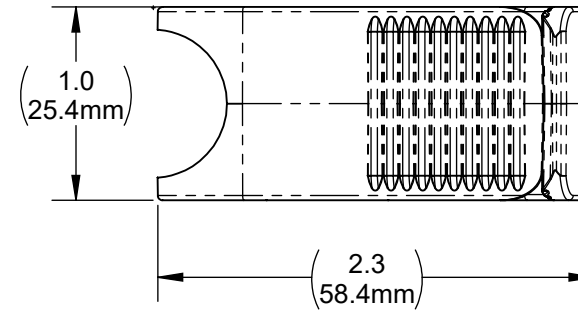
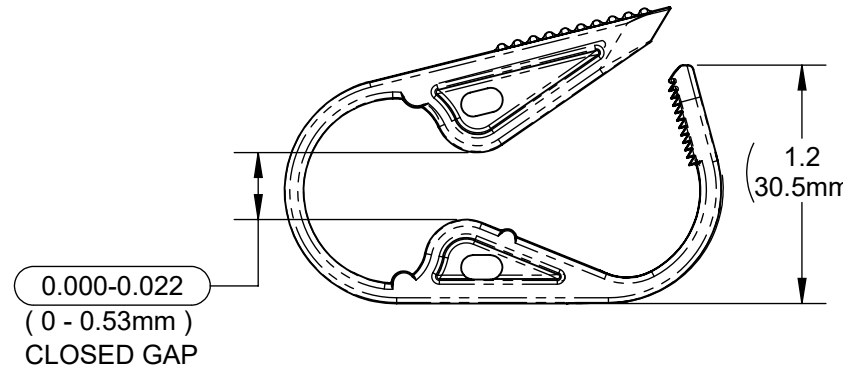


REVISION HISTORY

REV	DESCRIPTION (ECO)	DATE	APPROVED
R	SHOW CLOSED GAP AS CRITICAL DIM. ECO 10382	03/05/20	AK
T	ADD SUFFIX "S" SPECIAL PCKG. REQ. ECO 10977	03/01/21	AK



SEE NOTE 6.



NOTES:

- SUFFIX INDICATES MATERIAL & COLOR:
- NO SUFFIX - WHITE POLYESTER (VALOX 325M)
 B - BLUE POLYESTER (VALOX 325M)
 CB - BLUE CELENEX 20002EG 4082 POLYESTER
 S - WHITE POLYESTER, (VALOX 325M) (SPECIAL PACKAGING REQUIREMENTS.
 DOUBLE BAGGED, INNER BAG TIED, QTY. OF 450 PER BOX).
- CRITICAL DIMENSIONS ARE CIRCLED AND SUBJECT TO INSPECTION.
- DIMENSIONS IN PARENTHESES ARE FOR REFERENCE ONLY.
- ALL DIMENSIONS ARE IN INCHES WITH NOMINAL DIMENSIONS IN MILLIMETERS BELOW.
- MAX TUBING DIA. (0.75").
- HR TUBING CLAMPS ARE SINGLE PATIENT USE MEDICAL COMPONENTS INTENDED TO BE INCLUDED AS PART OF THE FINISHED DEVICE, I.E. IV ADMINISTRATION SETS. HR TUBING CLAMPS ARE MANUFACTURED TO HR SPECIFICATIONS, SOLD BULK, NON-STERILE TO OEMS. BECAUSE THE CONFIGURATIONS OF IV TUBING VARY DRAMATICALLY, HR CANNOT MAKE ANY PARTICULAR CLAIMS. CUSTOMERS MUST VALIDATE CLAMPS FOR THEIR INTENDED USE, ENSURING THAT THE CLAMPS EFFECTIVELY OCCLUDE THE INHERENT VARIATION OF THE PARTICULAR TUBING EMPLOYED BY THE CUSTOMER AGAINST THE CLOSED GAP RANGE PROVIDED ON HR'S SPECIFICATIONS. OEM MANUFACTURING PROCESSES (SUCH AS ASSEMBLY PROCESSES, PACKAGING AND STERILIZATION) CAN SIGNIFICANTLY ALTER THE CLAMPS' FUNCTIONALITY; THEREFORE, HR CANNOT GUARANTEE THE PERFORMANCE OF THE FINAL CONFIGURATION.

QUALITY CRITERIA

O.D. FLASH 0.015 MAX. (0.4mm)
GATE VESTIGE 0.01 MAX. (0.3mm)
EMBEDDED PARTICLES, BUBBLES, SPOTS, STAINS: 0.3mm ² MAX. NO MORE THAN 5 PER PART.

MOLDED PARTS:
GATES, PARTING LINES, AND FLASH PER QUALITY CRITERIA

PROPRIETARY AND CONFIDENTIAL
THE INFORMATION CONTAINED IN THIS DRAWING IS SOLE PROPERTY OF HALKEY-ROBERTS CORPORATION, ST. PETERSBURG, FL. ANY REPRODUCTION IN PART OR AS A WHOLE WITHOUT THE WRITTEN PERMISSION OF HALKEY-ROBERTS CORPORATION IS PROHIBITED.

DRAWN BY	DMC	DATE	5/14/2013
APPROVED BY		DATE	
MATERIAL			
FINISH			
UNLESS OTHERWISE SPECIFIED:	THIRD ANGLE PROJECTION		
DIMENSIONS ARE IN INCHES			
TOLERANCES:			
ANGULAR: ± 1°			
TWO PLACE DECIMAL ± .01	SCALE	1:1	DO NOT SCALE DRAWING
THREE PLACE DECIMAL ± .005			

HR® Halkey-Roberts®	
TITLE	TUBING CLAMP, LARGE
SIZE	B
DRAWING NO.	C340TCLX
SCALE	1:1
SHEET	1 OF 2
REV	T

DRAWING NO.
C340TCLX

REV
T

Customer Drawing

BILL OF MATERIAL:

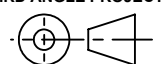
WHITE POLYESTER: 325M VALOX

BLUE POLYESTER: 325M VALOX WITH CPBT02803
BLUE VALOX COLORANT

BLUE CELENEX: 2001KRF2001 NATURAL CELENEX WITH
2020EG3145K15 BLUE COLORANT

MOLDED PARTS:
GATES, PARTING LINES, AND FLASH PER QUALITY CRITERIA

PROPRIETARY AND CONFIDENTIAL
THE INFORMATION CONTAINED IN THIS DRAWING IS SOLE PROPERTY
OF HALKEY-ROBERTS CORPORATION, ST. PETERSBURG, FL. ANY
REPRODUCTION IN PART OR AS A WHOLE WITHOUT THE WRITTEN
PERMISSION OF HALKEY-ROBERTS CORPORATION IS PROHIBITED.

DRAWN BY	DMC	DATE	5/14/2013
APPROVED BY		DATE	
MATERIAL			
FINISH			
UNLESS OTHERWISE SPECIFIED: DIMENSIONS ARE IN INCHES TOLERANCES: ANGULAR: ± 1° TWO PLACE DECIMAL ± .01 THREE PLACE DECIMAL ± .005		THIRD ANGLE PROJECTION 	

HR® Halkey-Roberts®	
TITLE TUBING CLAMP, LARGE	
SIZE B	DRAWING NO. C340TCLX
SCALE 1:1	SHEET 2 OF 2
DO NOT SCALE DRAWING	

REV
T