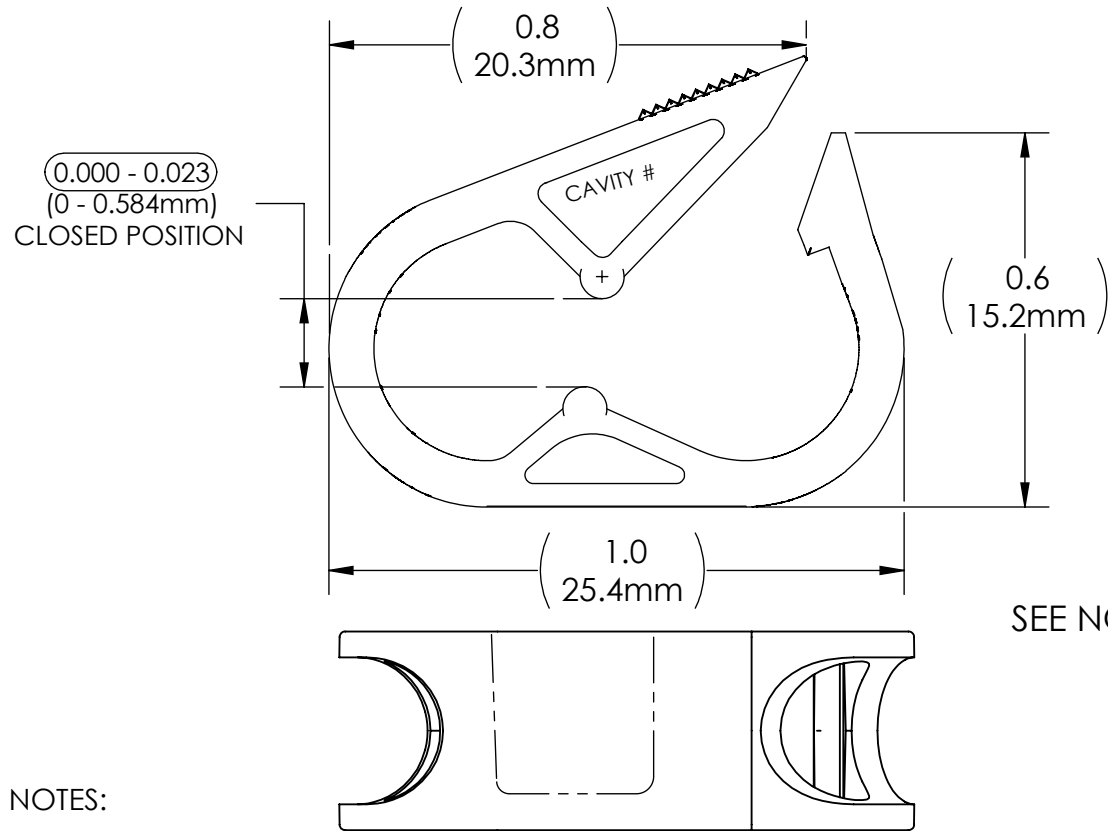
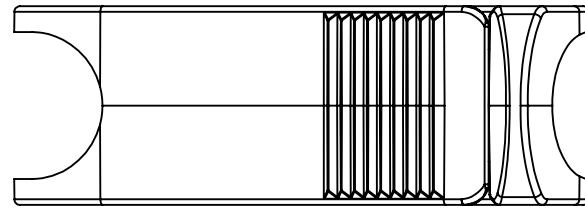


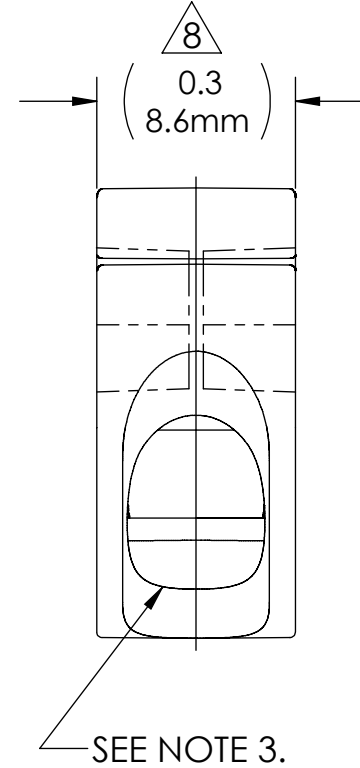
| REVISION HISTORY | | | |
|------------------|--|---------|----------|
| REV | DESCRIPTION (ECO) | DATE | APPROVED |
| T | UPDATE TO STANDARD DECIMAL PLACES & CLOSED GAP TO 0 MIN. ECO 5785 | 8/29/13 | AK |
| U | REMOVE PD626 FROM DRW. ECO 6829 | 1/28/16 | AK |



NOTES:

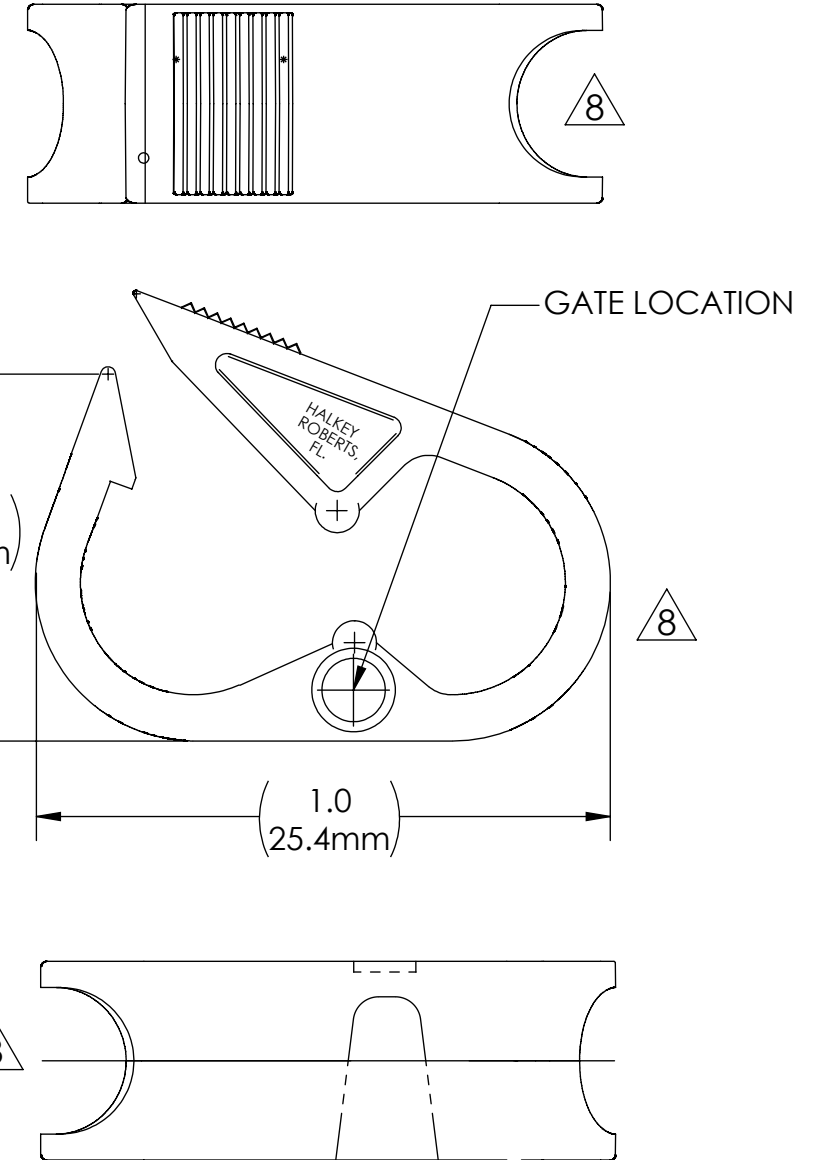
1. MATERIAL: GAMMA STABLE POLYPROPYLENE P5M6K-080.
2. SUFFIX INDICATES COLOR.
NO SUFFIX - WHITE
B - BLUE
R - RED
Y - YELLOW
BK - BLACK
BN - BROWN
3. MAX TUBING DIA. (.25).
4. CRITICAL DIMENSIONS ARE CIRCLED AND SUBJECT TO INSPECTION.
5. DIMENSIONS IN PARENTHESES ARE FOR REFERENCE ONLY.
6. ALL DIMENSIONS ARE IN INCHES WITH NOMIMIAL DIMENISON IN MILLIMETERS BELOW.
7. HR TUBING CLAMPS ARE SINGLE PATIENT USE MEDICAL COMPONENTS INTENDED TO BE INCLUDED AS PART OF THE FINISHED DEVICE, I.E. IV ADMINISTRATION SETS. HR TUBING CLAMPS ARE MANUFACTURED TO HR SPECIFICATIONS, SOLD BULK, NON-STERILE TO OEMS. BECAUSE THE CONFIGURATIONS OF IV TUBING VARY DRAMATICALLY, HR CANNOT MAKE ANY PARTICULAR CLAIMS. CUSTOMERS MUST VALIDATE CLAMPS FOR THEIR INTENDED USE, ENSURING THAT THE CLAMPS EFFECTIVELY OCCLUDE THE INHERENT VARIATION OF THE PARTICULAR TUBING EMPLOYED BY THE CUSTOMER AGAINST THE CLOSED GAP RANGE PROVIDED ON HR'S SPECIFICATIONS. OEM MANUFACTURING PROCESSES (SUCH AS ASSEMBLY PROCESSES, PACKAGING AND STERILIZATION) CAN SIGNIFICANTLY ALTER THE CLAMPS' FUNCTIONALITY; THEREFORE, HR CANNOT GUARANTEE THE PERFORMANCE OF THE FINAL CONFIGURATION.

SEE NOTE 3.



NOTES:

DRAWING VIEWS OF ALTERNATE RADIUS CONFIGURATION



QUALITY CRITERIA

| |
|--|
| O.D. FLASH 0.015 MAX. (0.4MM) |
| GATE VESTIGE 0.01 MAX. (0.3MM) |
| EMBEDDED PARTICLES, BUBBLES, SPOTS, STAINS: 0.3mm ² MAX. NO MORE THAN 5 PER PART. |

MOLDED PARTS:
GATES, PARTING LINES, AND FLASH PER QUALITY CRITERIA

PROPRIETARY AND CONFIDENTIAL
THE INFORMATION CONTAINED IN THIS DRAWING IS SOLE PROPERTY OF HALKEY-ROBERTS CORPORATION, ST. PETERSBURG, FL. ANY REPRODUCTION IN PART OR AS A WHOLE WITHOUT THE WRITTEN PERMISSION OF HALKEY-ROBERTS CORPORATION IS PROHIBITED.

| | | | |
|------------------------------------|-------------------------------|-------------|----------|
| DRAWN BY | M.S. | DATE | |
| APPROVED BY | J.W. | DATE | 10-21-94 |
| MATERIAL | | | |
| FINISH | | | |
| UNLESS OTHERWISE SPECIFIED: | THIRD ANGLE PROJECTION | | |
| DIMENSIONS ARE IN INCHES | | | |
| TOLERANCES: | | | |
| ANGULAR: ± 1° | | | |
| TWO PLACE DECIMAL ± .01 | | | |
| THREE PLACE DECIMAL ± .005 | | | |

| | | |
|----------------------------|-----------------------------|-----------------------|
| | | Halkey-Roberts |
| TUBING CLAMP, SMALL | | |
| SIZE | DRAWING NO. | REV |
| B | C340TCSPX | U |
| SCALE | DO NOT SCALE DRAWING | SHEET |
| 1:1 | | 1 OF 1 |