

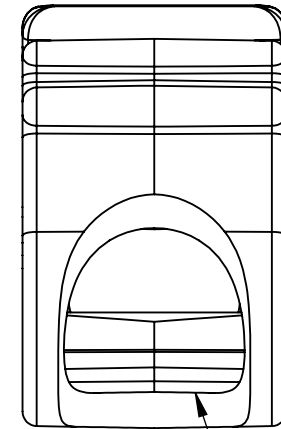
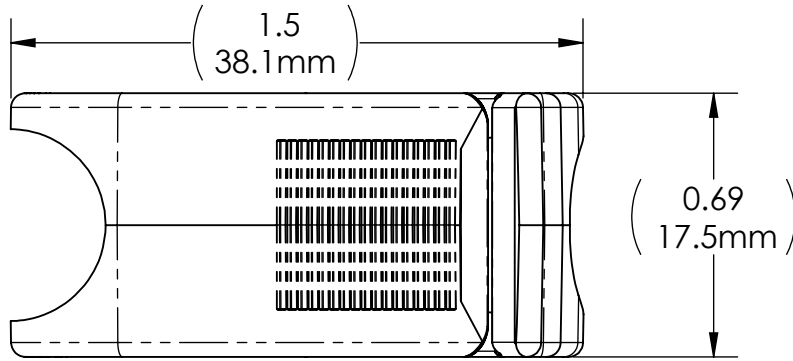
DRAWING NO.  
**C340TCX**

REV  
**U**

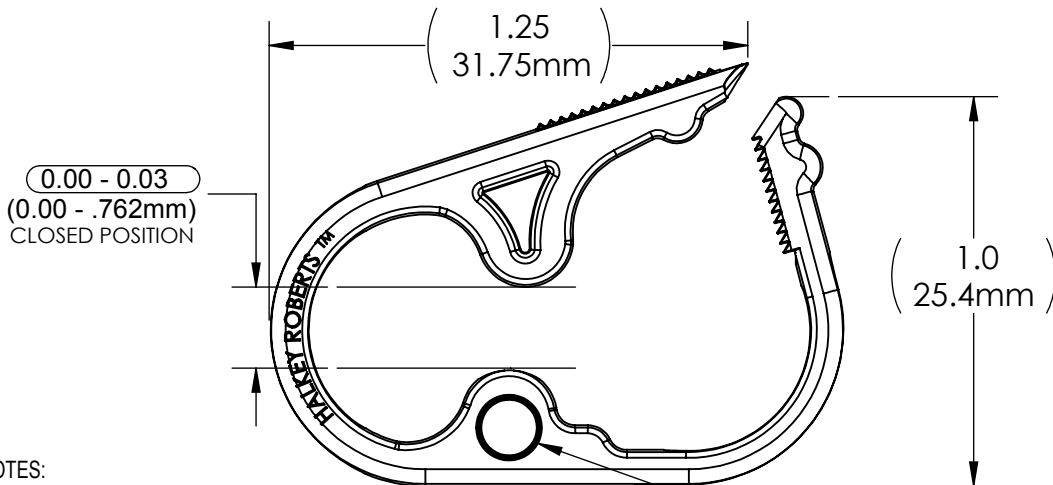
**Customer Drawing**

**REVISION HISTORY**

REV	DESCRIPTION (ECO)	DATE	APPROVED
T	UPDATE GATE VESTIGE .020 MAX 5904	11/12/13	AK
U	UPDATE FLASH FROM .015, TO .020 ECO 6798	01/08/16	AK



SEE NOTE 6.



**QUALITY CRITERIA**

O.D. FLASH 0.020 MAX. (0.5mm)
GATE VESTIGE 0.02 MAX. (0.5mm)
EMBEDDED PARTICLES, BUBBLES, SPOTS, STAINS: 0.3mm <sup>2</sup> MAX. NO MORE THAN 5 PER PART.

REFERENCE VIEW  
FOR PREVIOUS REVISION

**NOTES:**

- SUFFIX INDICATES COLOR & MATERIAL:  
NO SUFFIX - MAT'L: NATURAL CELCON M270  
B - BLUE CELCON  
GAM - (NATURAL POLYESTER)  
P - WHITE POLYPROPYLENE  
PBG - BLUE GAMMA POLYPROPYLENE  
PG - WHITE " " " "

7. HR TUBING CLAMPS ARE SINGLE PATIENT USE MEDICAL COMPONENTS INTENDED TO BE INCLUDED AS PART OF THE FINISHED DEVICE, I.E. IV ADMINISTRATION SETS. HR TUBING CLAMPS ARE MANUFACTURED TO HR SPECIFICATIONS, SOLD BULK, NON-STERILE TO OEMS. BECAUSE THE CONFIGURATIONS OF IV TUBING VARY DRAMATICALLY, HR CANNOT MAKE ANY PARTICULAR CLAIMS. CUSTOMERS MUST VALIDATE CLAMPS FOR THEIR INTENDED USE, ENSURING THAT THE CLAMPS EFFECTIVELY OCCLUDE THE INHERENT VARIATION OF THE PARTICULAR TUBING EMPLOYED BY THE CUSTOMER AGAINST THE CLOSED GAP RANGE PROVIDED ON HR'S SPECIFICATIONS. OEM MANUFACTURING PROCESSES (SUCH AS ASSEMBLY PROCESSES, PACKAGING AND STERILIZATION) CAN SIGNIFICANTLY ALTER THE CLAMPS' FUNCTIONALITY; THEREFORE, HR CANNOT GUARANTEE THE PERFORMANCE OF THE FINAL CONFIGURATION.

- CRITICAL DIMENSIONS ARE CIRCLED AND SUBJECT TO INSPECTION.
- DIMENSIONS IN PARENTHESES ARE FOR REFERENCE ONLY.
- ALL DIMENSIONS ARE IN INCHES WITH NOMINAL IN MILLIMETERS BELOW.
- CAN BE MOLDED IN NYLON OR POLYESTER FOR GAMMA RADIATION STERILIZATION.
- MAX TUBING DIA. (0.45")

**MOLDED PARTS:**  
GATES, PARTING LINES, AND FLASH PER QUALITY CRITERIA

**PROPRIETARY AND CONFIDENTIAL**  
THE INFORMATION CONTAINED IN THIS DRAWING IS SOLE PROPERTY OF HALKEY-ROBERTS CORPORATION ST. PETERSBURG, FL. ANY REPRODUCTION IN PART OR AS A WHOLE WITHOUT THE WRITTEN PERMISSION OF HALKEY-ROBERTS CORPORATION IS PROHIBITED.

<b>DRAWN BY</b>	M.S.	<b>DATE</b>	
<b>APPROVED BY</b>	J.W.	<b>DATE</b>	10/24/94
<b>MATERIAL</b>	SEE NOTES		
<b>FINISH</b>			
<b>UNLESS OTHERWISE SPECIFIED:</b>	<b>THIRD ANGLE PROJECTION</b>		
DIMENSIONS ARE IN INCHES			
TOLERANCES:			
ANGULAR: ± 1° TWO PLACE DECIMAL ±.01 THREE PLACE DECIMAL ±.005			

**Halkey-Roberts**

<b>TITLE</b>	<b>TUBING CLAMP</b>		
<b>SIZE</b>	<b>DRAWING NO.</b>	<b>REV</b>	
<b>A</b>	<b>C340TCX</b>	<b>U</b>	
<b>SCALE</b>	<b>DO NOT SCALE DRAWING</b>	<b>SHEET</b>	<b>1 OF 2</b>
<b>2:1</b>			